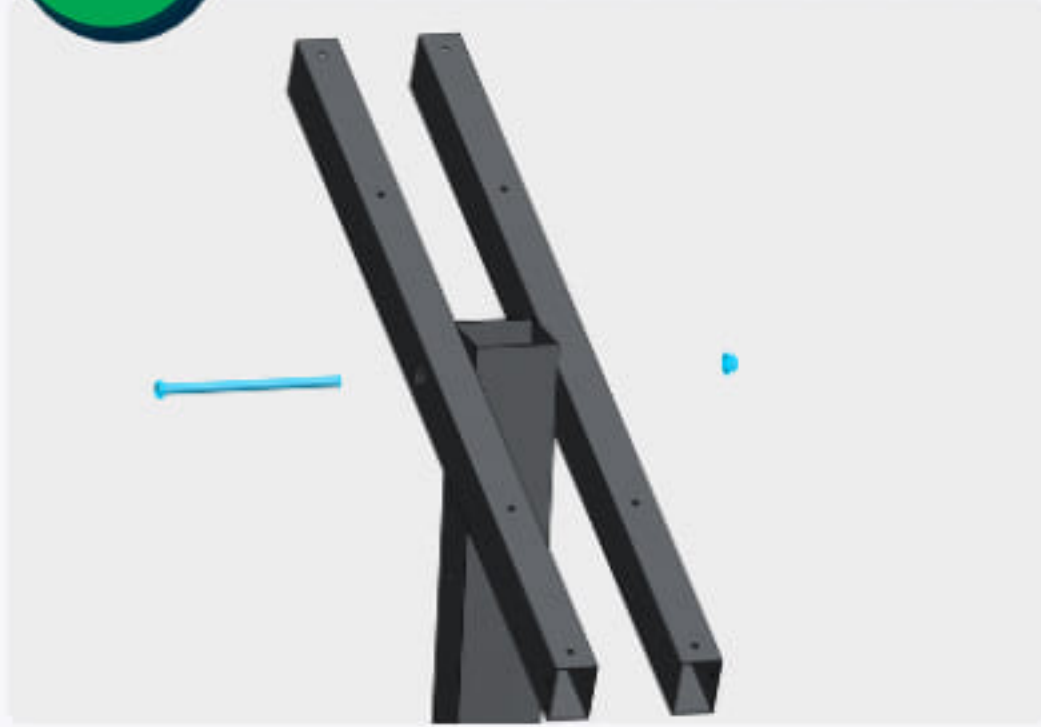


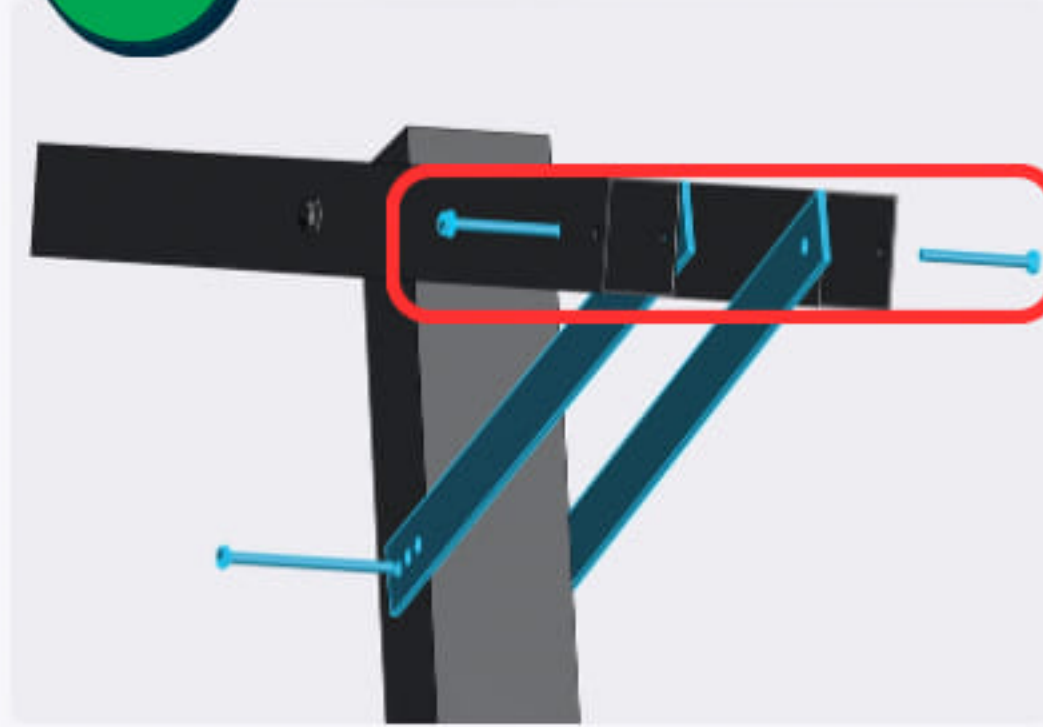
# DIY Installation Guide ITnerfrica Shop

1



Place the two **crosses** either side of the **mast** and put the **M19 bolt** through all three components. Place the **M19 washers** on the outside of the two crosses. It is a good practice to keep the **crosses** relatively parallel to the **mast**.

2



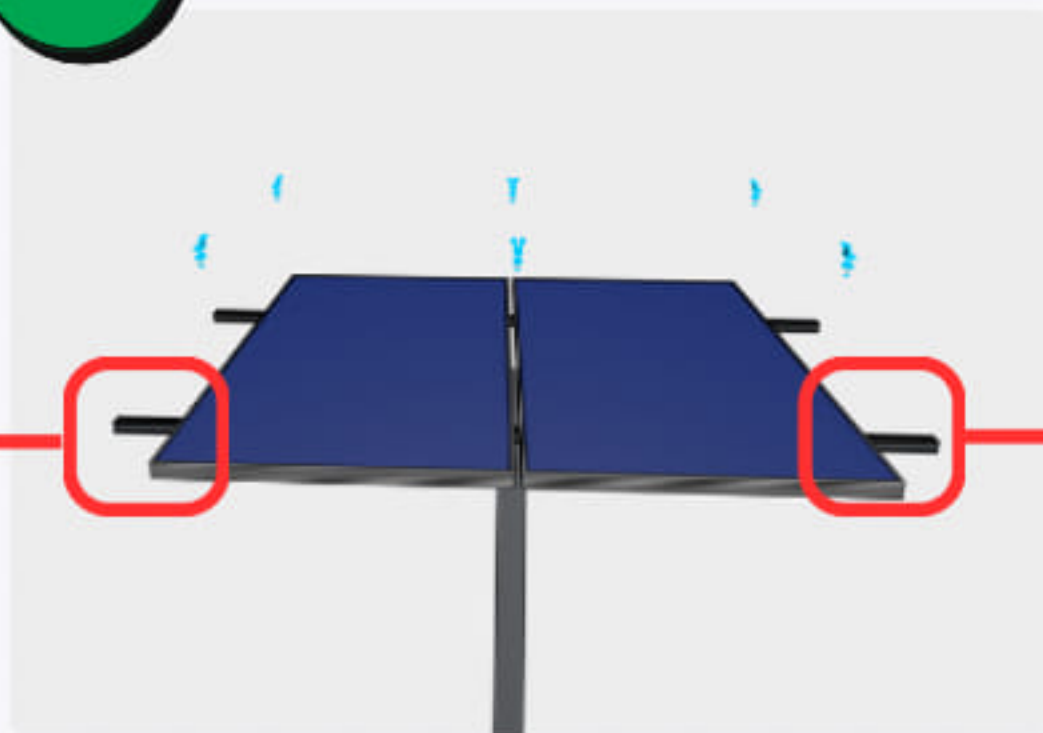
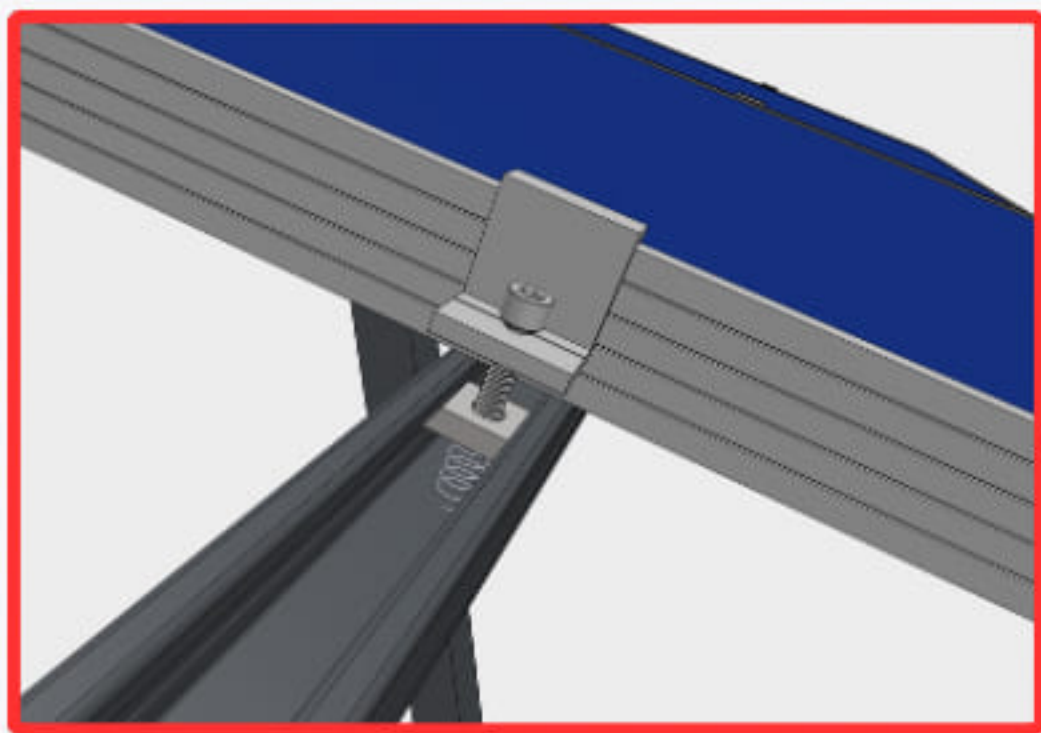
Fasten the two **flatbar braces** to the **crosses**.

3



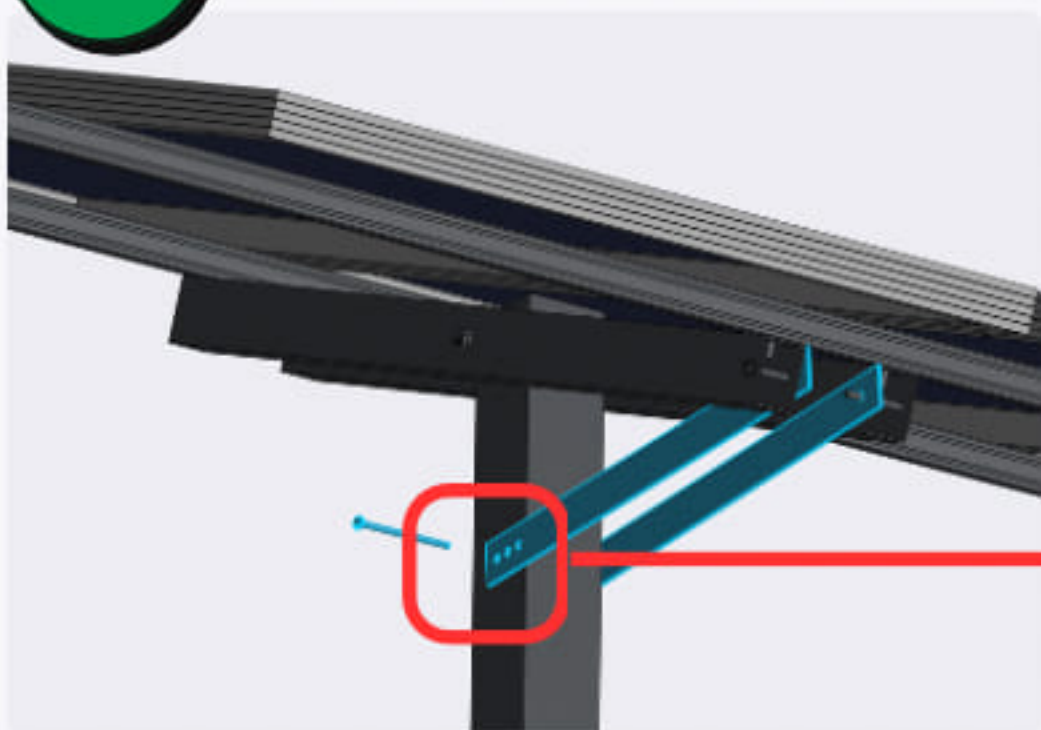
Fix the **channels** on the top of the **crosses** with **M8 bolts and washers**. The outside holes are for 400W and larger panels. The inside holes are for smaller than 400W panels.

4

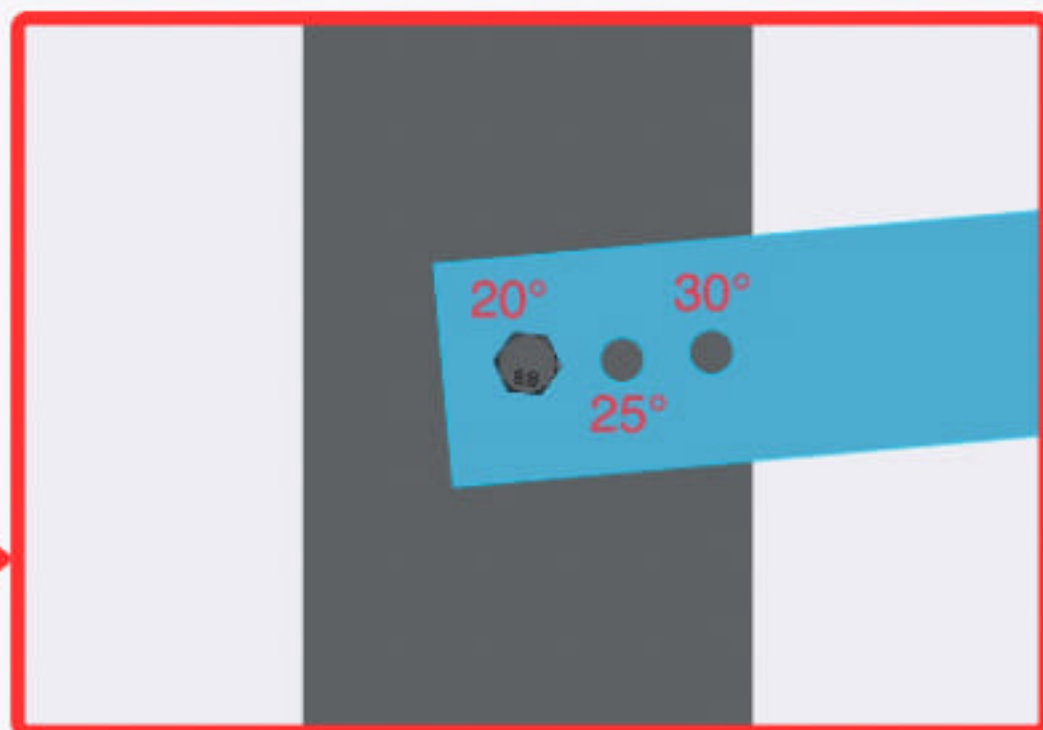


Place the panels on the **channels** and fix it with the **clamps**. Use the solar cell gap lines on the solar panels to square the solar panels. Put the **spring nuts** into the channels and fasten with an allen key. Fasten the clamps tightly.

5



Fasten the two flatbar **braces** to the **mast**. Fasten all the other bolts and clamps securely.



There are three holes in the **braces**. The three holes will tilt the panels at different angles relative to the ground. See the diagram above for the three options.

## Components

- 2x crosses (76x50x2)
- 1x mast (100x100x2)
- 2x P2000 Channel
- 2x braces
- 1x M19 bolt
- 1x M19 nylock nut
- 2x M19 washer
- 10x M8 bolt
- 10x M8 washer
- 4x Endclamp spring nut
- 4x Midclamp spring nut